

EARTH COVER SEEDED OR SODDED TO PREVENT EROSION

45° MAX SLOPE

AIR EXHAUST VENT, PAINTED BLACK

3'-0" MIN.
2'-0"

BAFFLE WALL PASSAGE

MASTIC

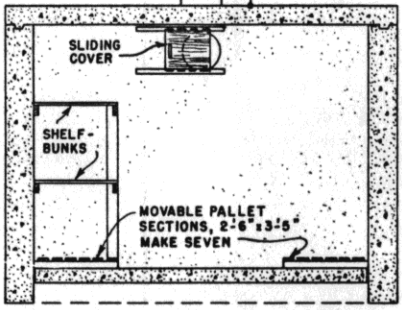
SLOPE FLOOR SLAB 1" TOWARD DOOR

4" TILE DRAIN ALL AROUND, IF REQUIRED

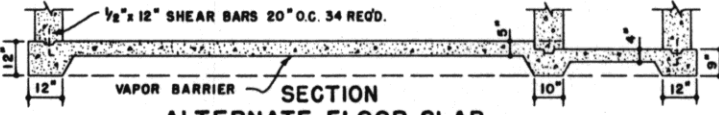
6 MIL POLYETHYLENE VAPOR BARRIER

FOOTINGS MAY BE NEEDED IN SOFT SOILS

SECTION A-A

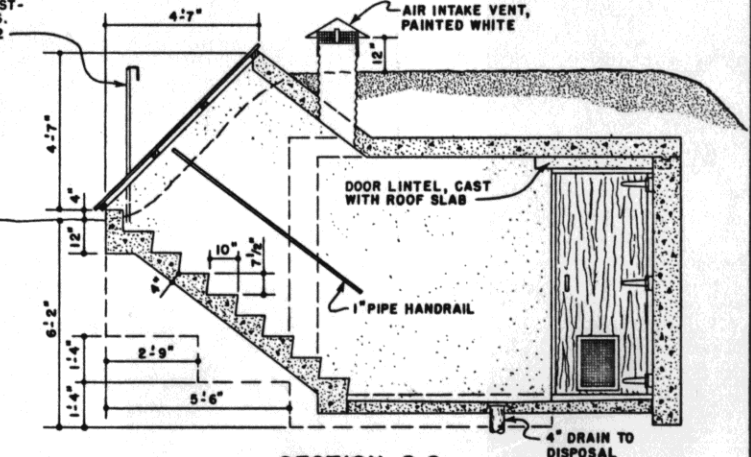


SECTION B-B

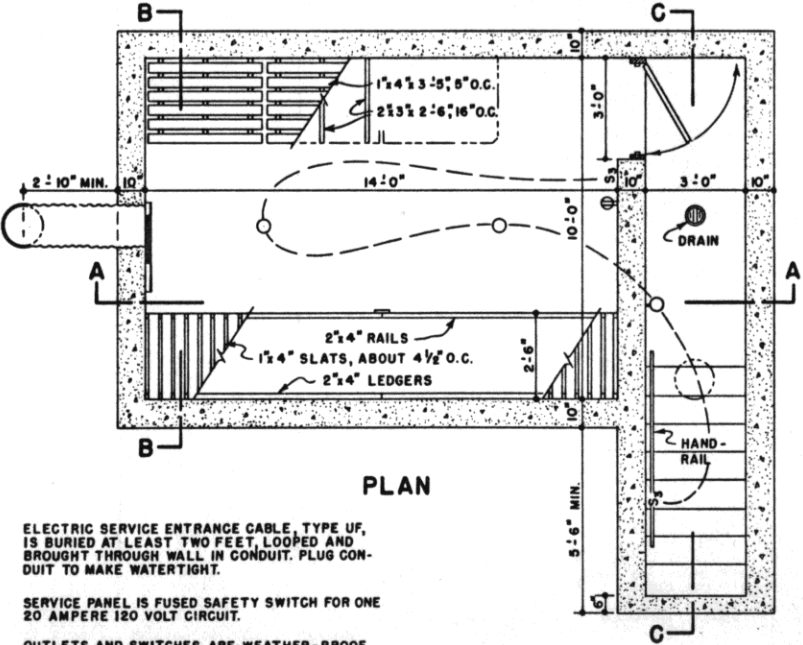


SECTION ALTERNATE FLOOR SLAB

3/4" PIPE DOOR STOPS EACH SIDE. SET IN CONCRETE WALLS AT A SLIGHT ANGLE OR FASTENED TO OUTSIDE OF WALLS. SEE HOOK DETAIL, SHEET 2



SECTION C-C



PLAN

ELECTRIC SERVICE ENTRANCE CABLE, TYPE UF, IS BURIED AT LEAST TWO FEET, LOOPED AND BROUGHT THROUGH WALL IN CONDUIT. PLUG CONDUIT TO MAKE WATERTIGHT.

SERVICE PANEL IS FUSED SAFETY SWITCH FOR ONE 20 AMPERE 120 VOLT CIRCUIT.

OUTLETS AND SWITCHES ARE WEATHER-PROOF GROUNDING TYPE. CIRCUIT WIRING IS No. 12 UF WITH BOND WIRE.

CONCRETE TO TEST 3,000 PSI, 28 DAY COMPRESSION. WATER-CEMENT RATIO, 6 GALLONS PER SACK.

CHAMFER OUTSIDE WALL AND ROOF CORNERS 3/4".

APPLY TWO COATS OF BITUMINOUS WATERPROOFING TO OUTSIDE SURFACES.

ALL STEEL, EXCEPT REINFORCING BARS, SHALL BE HOT-DIP GALVANIZED OR OTHERWISE PROTECTED FROM CORROSION.

ALL LUMBER SHALL BE TREATED, AFTER CUTTING, WITH A COPPER NAPHTHENE PRESERVATIVE. A 15 MINUTE DIP IS SUGGESTED.

FACES AND EDGES OF PLYWOOD SHALL BE GIVEN TWO COATS OF OUTSIDE PENETRATING SEALER.

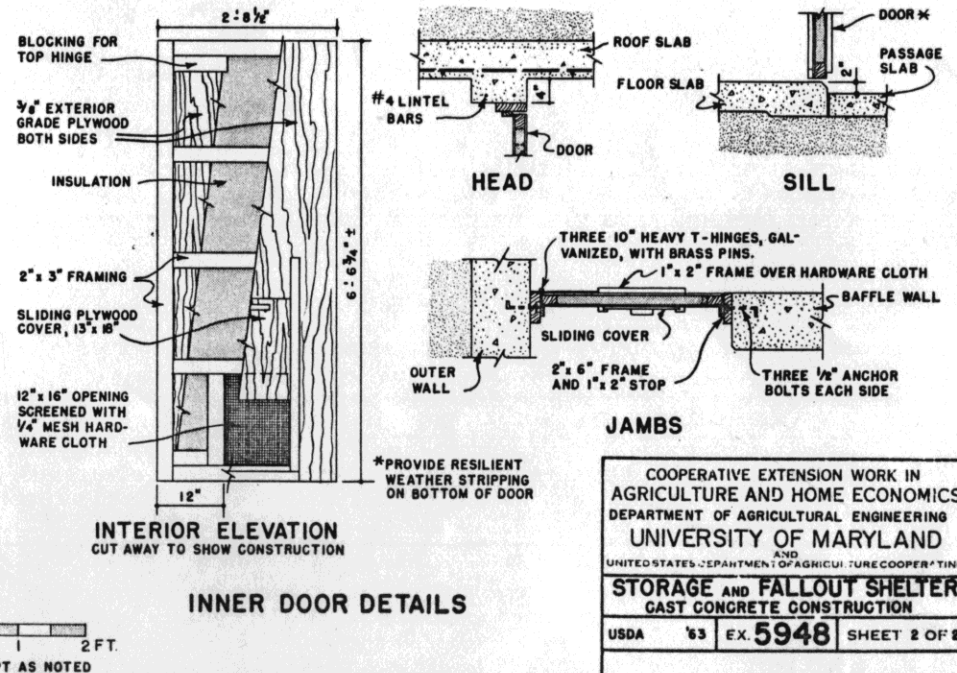
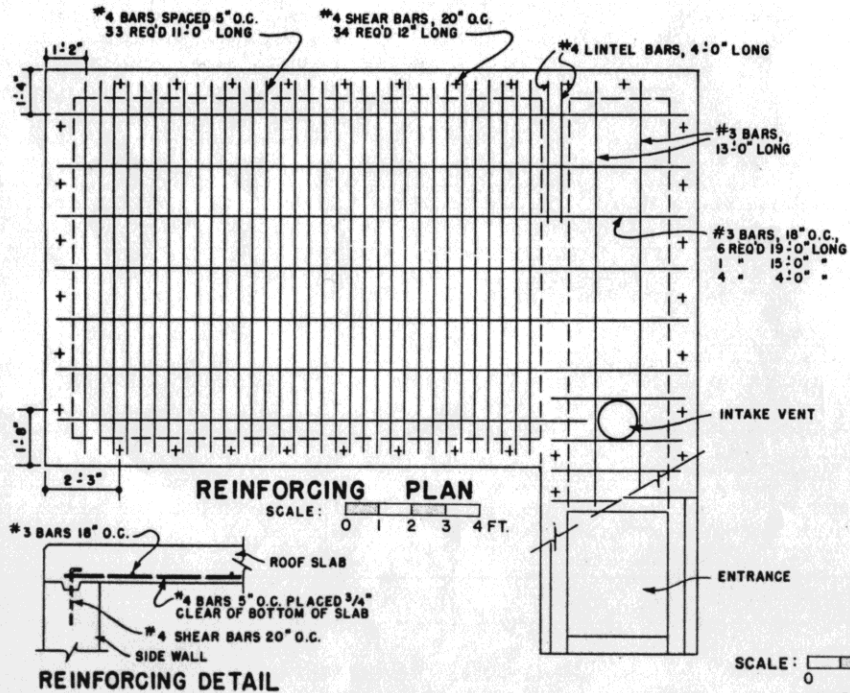
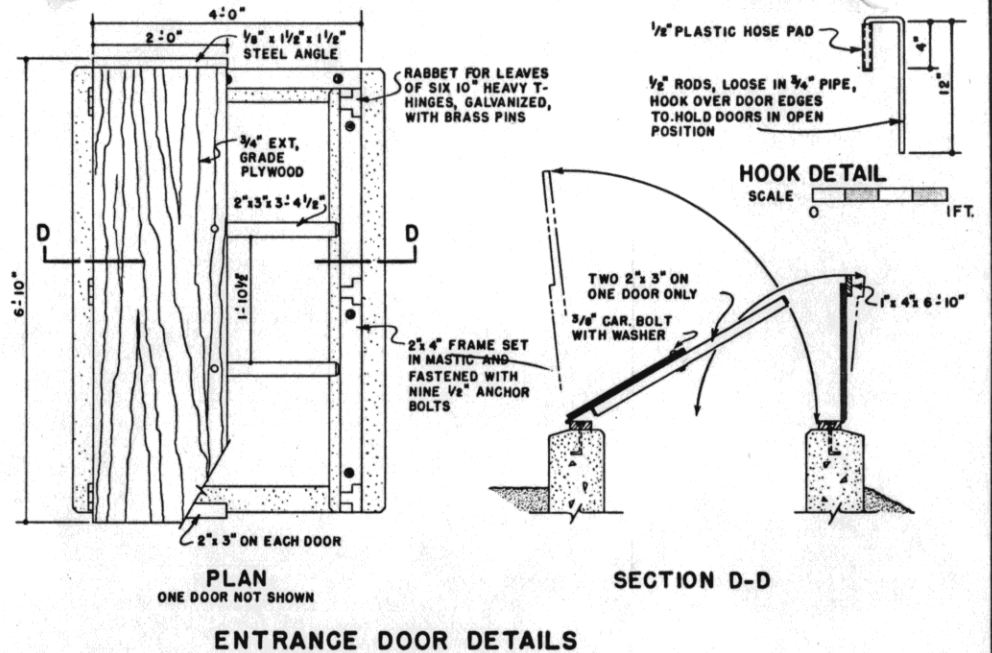
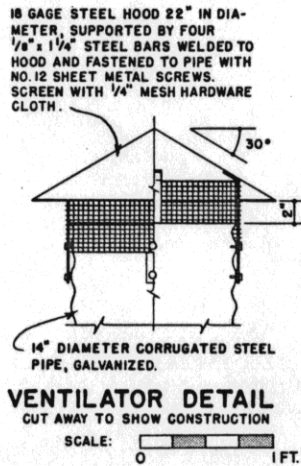
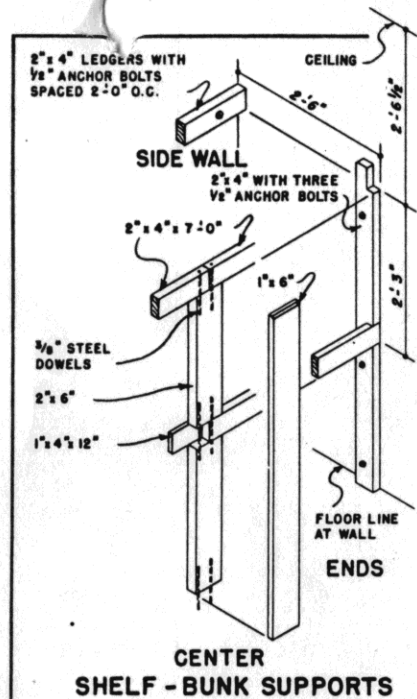
IF THE SHELTER IS TO BE USED BY MORE THAN SIX PERSONS, PROVIDE MECHANICAL VENTILATION.

SCALE: 0 1 2 3 4 FT.

COOPERATIVE EXTENSION WORK IN AGRICULTURE AND HOME ECONOMICS
 DEPARTMENT OF AGRICULTURAL ENGINEERING
 UNIVERSITY OF MARYLAND
 AND
 UNITED STATES DEPARTMENT OF AGRICULTURE COOPERATING

STORAGE AND FALLOUT SHELTER
CAST CONCRETE CONSTRUCTION

USDA '63 EX. 5948 SHEET 1 OF 2



COOPERATIVE EXTENSION WORK IN AGRICULTURE AND HOME ECONOMICS
DEPARTMENT OF AGRICULTURAL ENGINEERING
UNIVERSITY OF MARYLAND
UNITED STATES DEPARTMENT OF AGRICULTURE COOPERATING

STORAGE AND FALLOUT SHELTER
CAST CONCRETE CONSTRUCTION

USDA '63 EX. 5948 SHEET 2 OF 2